

低阻值電阻器 (銅錳線 & 銅鎳線)



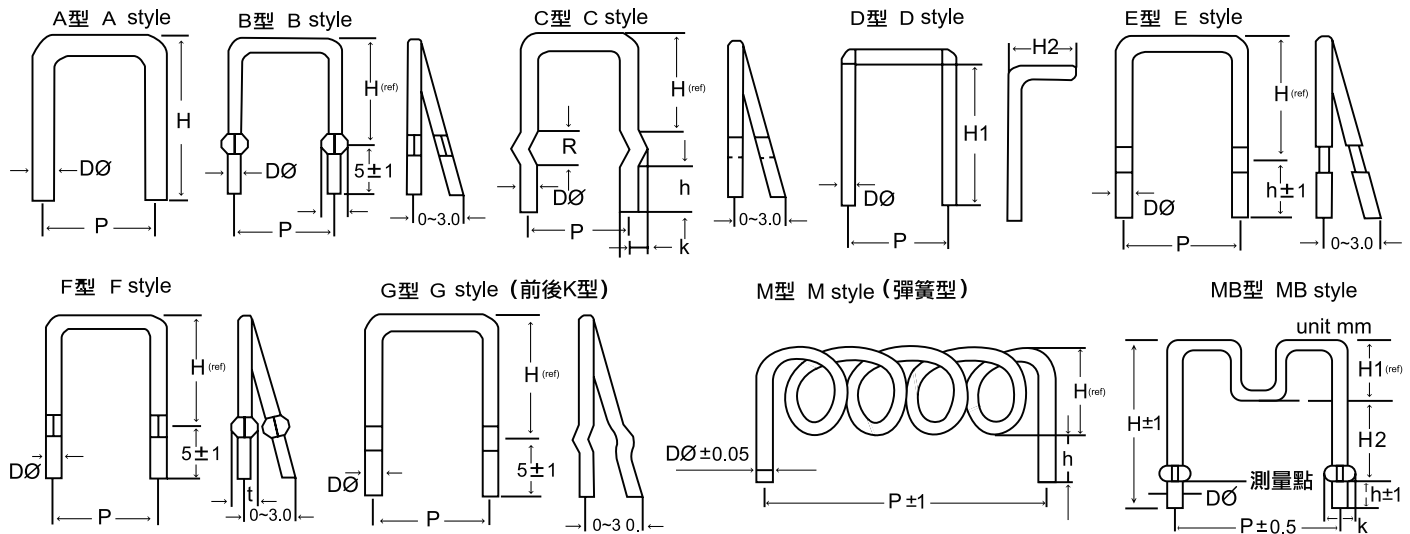
特點

- 適用電源迴路等電流檢出
- 尺寸小且重量輕
- 歡迎客戶訂製
- 使用溫度範圍: -40°C ~ +200°C

Features

- Current detective resistor for power supply circuit, etc.
- Small size and light weight
- Customer's design are welcomed
- Operating temperature range: -40°C ~ +200°C

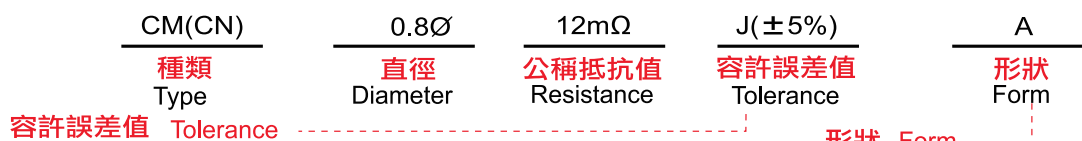
規格 Specifications



注：外型尺寸、線徑、測量點可根據設計要求或客戶要求設定。
As for demention diameter measure point with design requirement or customer requirement

線徑 ϕd (mm)	最大額定電流 (A) Max Current Rating	阻值範圍 (mΩ) Resistance Range		容許誤差值 Resistance Tolerance	溫度係數 T.C.R(ppm/°C)
		Copper-Manganese	Copper-Nickel		
0.4	2.0	70mΩ~200mΩ	80mΩ~220mΩ	J(±5%) K(±10%)	±100ppm/°C
0.5	2.5	50mΩ~150mΩ	60mΩ~165mΩ		
0.6	3.0	50mΩ~100mΩ	60mΩ~110mΩ		
0.7	4.0	30mΩ~70mΩ	35mΩ~75mΩ		
0.8	4.5	20mΩ~50mΩ	25mΩ~55mΩ		
0.9	5.0	20mΩ~40mΩ	25mΩ~40mΩ		
1.0	5.5	15mΩ~30mΩ	20mΩ~30mΩ		
1.1	6.0	15mΩ~20mΩ	16mΩ~22mΩ		
1.2	7.0	10mΩ~20mΩ	12mΩ~22mΩ		
1.3	7.5	10mΩ~20mΩ	12mΩ~22mΩ		
1.4	8.0	10mΩ~20mΩ	12mΩ~22mΩ		
1.5	9.0	10mΩ~20mΩ	12mΩ~22mΩ		
1.6	9.5	10mΩ~15mΩ	12mΩ~16mΩ		
1.8	11	5mΩ~10mΩ	6mΩ~11mΩ		
2.0	12	3mΩ~10mΩ	6mΩ~11mΩ		
2.5	14	2mΩ~5mΩ	3.5mΩ~5.5mΩ		

品名構成 Product Identification



J	K
±5%	±10%

A型	B型	C型	D型
E型	F型	G型	